



⚙️ Title

REAR LOCATED AERODYNAMIC DEVICE FOR RIGID TRANSPORT SEMI-TRAILERS

⚙️ Inventor/s - Contact

Mariasiu Florin, Scurtu Liviu Iacob, Varga Bogdan Ovidiu

⚙️ Patent/ Application number

Patent application OSIM: A/00714/09.11.2020

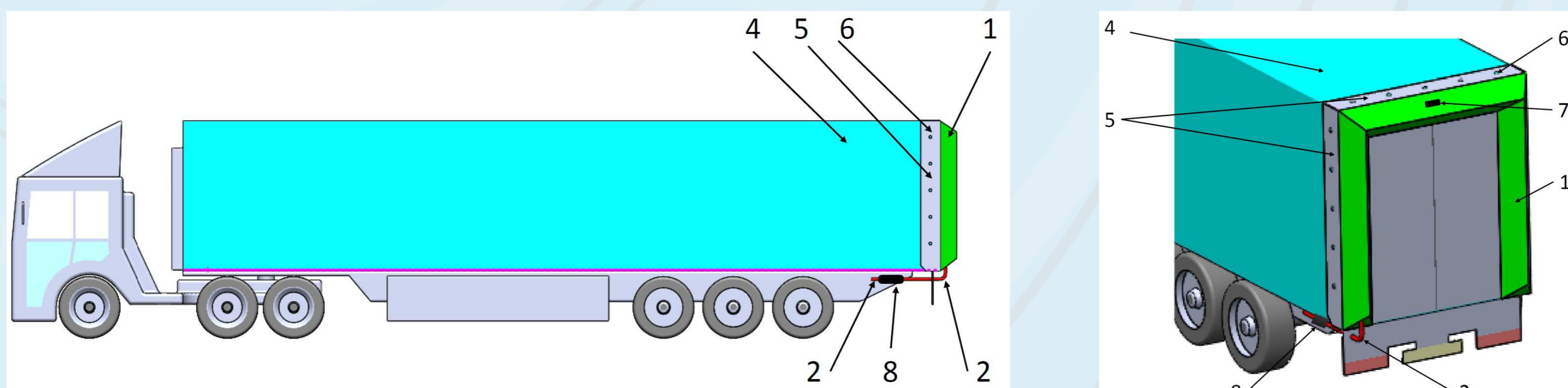
⚙️ Short presentation

The invention relates to a rear aerodynamic device for rigid semi-trailers (with rigid walls) in the composition of a road freight train, which reduces the value of its aerodynamic coefficient. The rear aerodynamic device for rigid transport semi-trailers is characterized by the fact that the active operating principle is based on the use of variable geometric shapes (aerodynamic cushions) located at the rear of a rigid semi-trailer, made of a waterproof elastic material (rubber), which allows it to swell with compressed air until the desired shape is obtained.

⚙️ Applicability

The applicability of the device in the road transport industry derives from the need to carry out the transport process in the best conditions of economic efficiency (achieved by reducing fuel consumption) and indirectly by reducing the pollutant emissions caused by road transport.

⚙️ Images



Legend:

1- aerodynamic cushion
2- pipes
4- rear of the semi-trailer
5- side folds

6- mounting holes,
7- safety valve,
8- command and control system