



Title

Automatic thermal management device of a battery that equips an electric vehicle



Inventor/s - Contact

Mariasiu Florin, Buidin I.C. Thomas

Technical University of Cluj-Napoca, Bdul.Muncii 103-105, C205a office, Cluj-Napoca, ROMANIA,
florin.mariasiu@auto.utcluj.ro



Patent/ Application number

Patent application OSIM: A/00403/14.07.2021



Short presentation

The problem solved by the invention of the automatic thermal management device of a battery equipped with an electric vehicle is the maintenance of a predetermined temperature (desired by the manufacturer according to the dynamic performance of the electric vehicle) inside the battery housing by natural ventilation of the electrochemical cells, due to adjustable ventilation slots as opening according to the thermal stress inside the battery housing. The automatic thermal management device of a battery equipped with an electric vehicle is characterized in that the opening or closing of the ventilation slots is done sequentially by a bimetallic lever, depending on the temperature inside the battery, without external energy consumption.

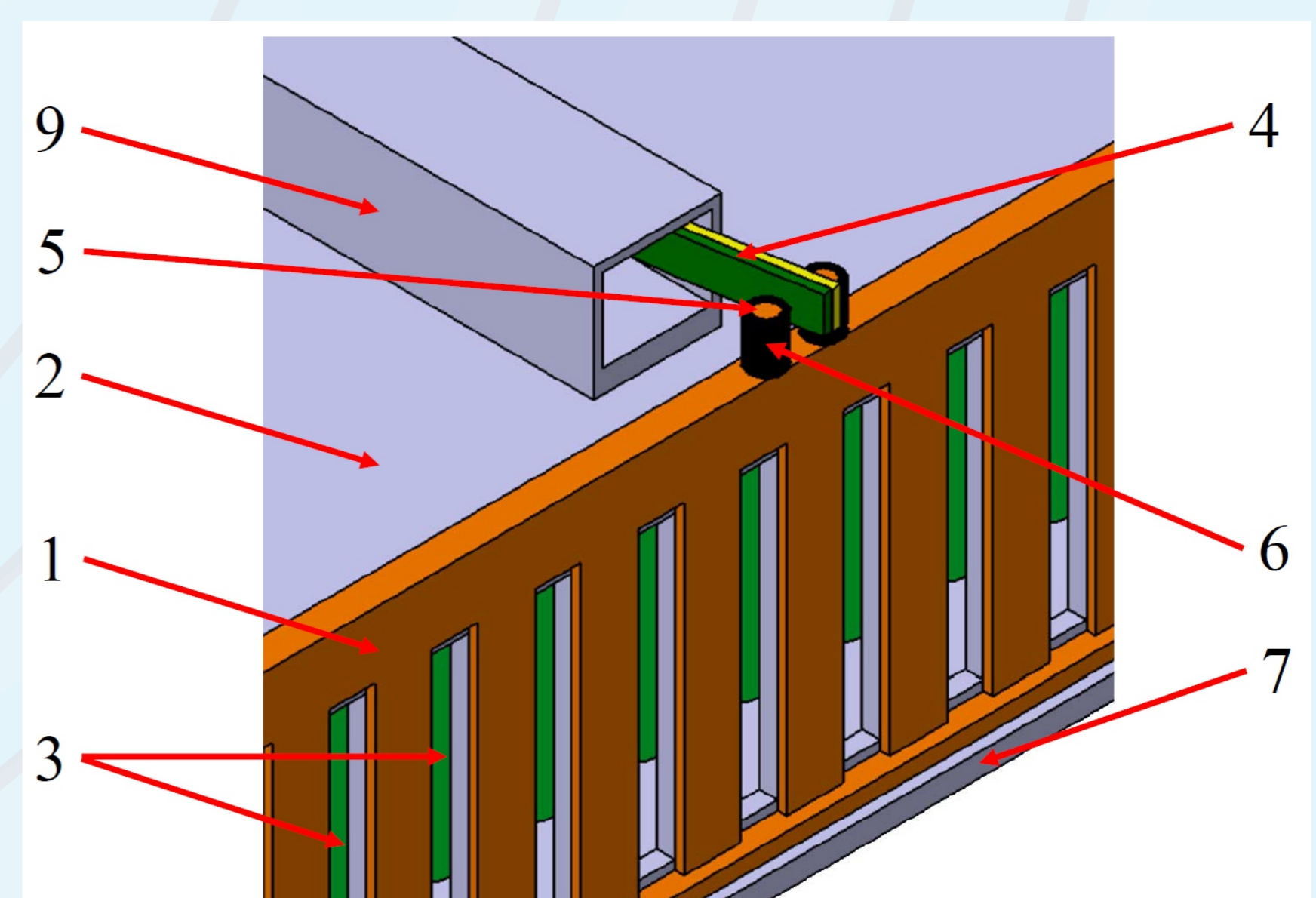
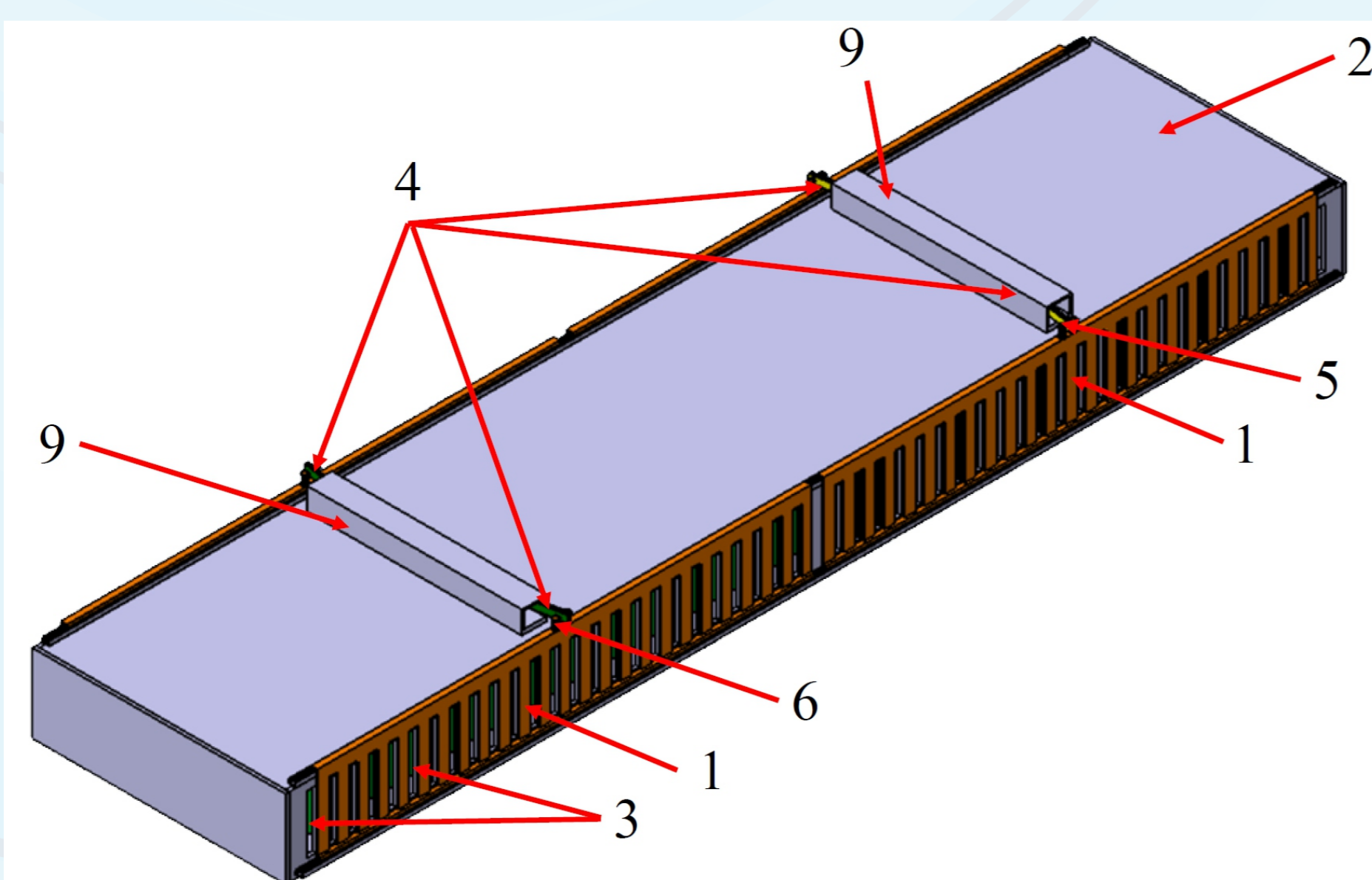


Applicability

Automotive industry, Energetic industry, Energy storage devices equipped with electrochemical cells



Images



1-movable grille, 2-battery housing, 3-ventilation slots, 4-bimetallic lever,
5-guide, 6-rotating cylinder, 7-guide profile, 8-slot, 9-cover.